

iRobot[®] Roomba[®]

OWNER'S MANUAL

Welcome!



Dear iRobot® Roomba® Owner,

Thank you for purchasing an iRobot Roomba vacuum cleaning robot. You've joined the millions of people who clean with robots — the smarter way to get it done.

To get the best performance from your Roomba, please take a few moments to read this manual and get acquainted with it. If you have any questions, please visit global.irobot.com for more information.

I also encourage you to register your Roomba straight away at www.irobot.com/roomba800.

By registering your robot, you'll instantly activate your warranty and start enjoying these exclusive benefits:

- **Take advantage of iRobot's award-winning customer service:** Get support tailored to your specific robot, including answers to questions, maintenance tips, video demos, live chat and more.
- **Get product updates and other valuable information:** Be among the first to find out about new robots, exclusive discounts and special promotions.

When you register, you can also tell us about your experience with your Roomba; iRobot listens to our customers and makes enhancements to our robots based on your valued feedback. We'd love to hear from you! On behalf of the entire team, thank you for choosing iRobot. We appreciate your business, feedback and loyalty. Here's to robots that make a difference!

Yours for less chores and more life,

A handwritten signature in black ink, appearing to read 'Colin Angle'.

Colin Angle
Chairman, CEO and Co-Founder
iRobot Corporation

P.S. Don't miss out on your exclusive benefits! Register your Roomba right now at www.irobot.com/roomba800.

Table of Contents

Important Safety Instructions.....	7
Important Tips.....	10
iRobot Roomba Anatomy.....	12
Setting the Language.....	16
Cleaning Pattern	17
Cleaning Modes.....	18
Cleaning System	19
Battery Storage and Charging.....	20
Auto Virtual Wall®	21
Virtual Wall Lighthouse™.....	22
Virtual Wall Halo	23
Home Base®	24
Remote Control.....	25
Wireless Command Centre	26
Scheduling Roomba	27
Regular Maintenance	30
Troubleshooting.....	32
Problems While Charging.....	33
Replaceable Modules.....	34
Battery Removal.....	35
Registration.....	36
Declaration of Conformity.....	37
iRobot Customer Care	38

Important Safety Information

THIS APPLIANCE CAN BE USED BY CHILDREN AGED FROM 8 YEARS AND ABOVE AND PERSONS WITH REDUCED PHYSICAL, SENSORY OR MENTAL CAPABILITIES OR LACK OF EXPERIENCE AND KNOWLEDGE IF THEY HAVE BEEN GIVEN SUPERVISION OR INSTRUCTION CONCERNING USE OF THE APPLIANCE IN A SAFE WAY AND UNDERSTAND THE HAZARDS INVOLVED. CHILDREN MUST NOT PLAY WITH THE APPLIANCE. CLEANING AND USER MAINTENANCE SHALL NOT BE DONE BY CHILDREN WITHOUT SUPERVISION.

CAUTION: DO NOT EXPOSE THE ELECTRONICS OF YOUR ROBOT, ITS BATTERY OR THE INTEGRATED DOCK-CHARGER KNOWN AS HOME BASE®. THERE ARE NO USER SERVICEABLE PARTS INSIDE. REFER SERVICING TO QUALIFIED SERVICE PERSONNEL. PLEASE ENSURE VOLTAGE RATING FOR ENCLOSED HOME BASE MATCHES STANDARD OUTLET VOLTAGE.

Notice: Your robot contains a software interface for the purpose of enabling the manufacturer to provide updates to the internal firmware if any such updates are made available to users. Any attempt to access, retrieve, copy, modify, distribute or otherwise use any of the robot software is strictly prohibited.

Always exercise caution when operating your robot. To reduce the risk of injury or damage, keep these safety precautions in mind when setting up, using and maintaining your robot:

GENERAL SAFETY INSTRUCTIONS

- Read all safety and operating instructions before operating your robot.
- Retain the safety and operating instructions for future reference.
- Heed all warnings on your robot, battery, Home Base and in the owner's manual.
- Follow all operating and use instructions.
- Refer all non-routine servicing to iRobot.

Important Safety Information

**The symbol on the product or its packaging indicates:**

Do not dispose of electrical appliances as unsorted municipal waste, use separate collection facilities. Contact your local authority for information regarding the collection systems available. If electrical appliances are disposed of in landfills or dumps, hazardous substances can leak into the groundwater and get into the food chain, damaging your health and well-being. When replacing old appliances with new ones, the retailer is legally obliged to take back your old appliance for disposal at least free of charge.

USE RESTRICTIONS

- Your robot is for indoor use only.
- Your robot is not a toy. Do not sit or stand on this device. Small children and pets should be supervised when your robot is operating.
- Store and operate your robot in room temperature environments only.
- Clean with a cloth dampened with water only.
- Do not use this device to pick up anything that is burning or smoking.
- Do not use this device to pick up spills of bleach, paint or other chemicals or anything wet.
- Before using this device, pick up objects like clothing, loose papers, pull cords for blinds or curtains, power cords and any fragile objects. If the device passes over a power cord and drags it, there is a chance an object could be pulled off a table or shelf.
- If the room to be cleaned contains a balcony, a physical barrier should be used to prevent access to the balcony and ensure safe operation.
- This appliance is not intended for use by persons (including children) with reduced physical, sensory or mental capabilities or lack of experience and knowledge, unless they have been given supervision or instruction concerning use of the appliance by a person responsible for their safety.
- Children should be supervised to ensure they do not play with the robot. Cleaning and maintenance must not be performed by children without supervision.
- Do not place anything on top of your robot.
- Be aware that the robot moves on its own. Take care when walking in the area that the robot is operating in to avoid stepping on it.
- Do not operate the robot in areas with exposed electrical outlets in the floor.

Important Safety Information

BATTERY AND CHARGING

- Charge using a standard outlet only. Product may not be used with any type of power converter. Use of other power converters will immediately void the warranty.
- Use only the Home Base supplied by the manufacturer to charge this device.
- Do not use a Home Base with a damaged cord or plug. If the cord or plug is damaged, it must be serviced by the manufacturer or similarly qualified persons.
- Use only rechargeable battery packs approved by iRobot.
- Always charge and remove the battery from your robot and accessories before long-term storage or transportation.
- Charge indoors only.
- Your robot's Home Base may be protected with a surge protector in the event of severe electrical storms.
- Never handle the Home Base with wet hands.
- Always disconnect your robot from the Home Base before cleaning or maintaining it.
- Please ensure voltage rating for enclosed Home Base matches standard outlet voltage.
- Used battery packs should be placed in a sealed plastic bag and disposed of safely according to local environmental regulations.
- Before every use, check the battery pack for any sign of damage or leakage. Do not charge damaged or leaking battery packs.
- If the battery pack is leaking, return it to your local authorised iRobot Service Centre for disposal.
- The battery pack must be removed from the robot before disposal.
- Only use original battery packs with the correct specification and supplied by iRobot.
- Do not crush or dismantle battery packs. Do not heat or place the battery pack near any heat source.
- Do not incinerate the battery pack. Do not short-circuit the battery pack. Do not immerse the battery pack in any liquid.

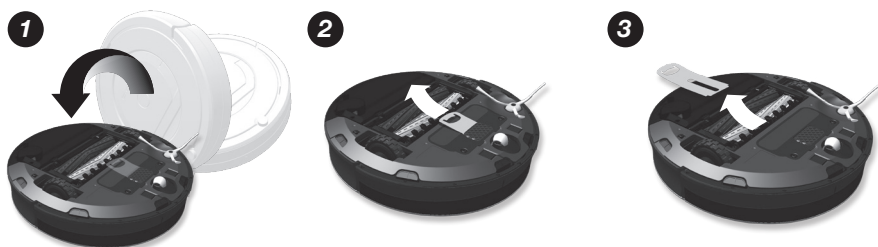
ROOMBA® USE RESTRICTIONS AND SAFETY INFORMATION

- Use Roomba only in dry environments.
- Do not spray or pour liquids on Roomba.

Important Tips



Before using Roomba the first time, you must activate it by removing the battery pull tab. Charge Roomba overnight before first-time use.



Turning Roomba on and off

- To turn Roomba on, press CLEAN once. You will hear a beep, and the CLEAN button will light up.
- To start a cleaning cycle, press CLEAN again. Roomba will start a cleaning cycle.
- To pause Roomba, press CLEAN while Roomba is cleaning.
- To resume the cleaning cycle, press CLEAN again.
- To turn Roomba off, press and hold CLEAN until Roomba's lights turn off.

For Best Performance

- Empty Roomba's bin and clean its filter after every use.
- Use an Auto Virtual Wall® or Virtual Wall Lighthouse™ (optional accessories) to keep Roomba cleaning where you want it.
- Wipe all sensors with a clean, dry, soft cloth every week.
- Use Roomba frequently.



Roomba contains electronic parts. **DO NOT** submerge Roomba or spray it with water. Clean with a dry cloth only.

Important Tips

Battery Life

To extend Roomba's battery life and keep Roomba cleaning at peak performance:

- Always keep Roomba charged when not in use.
- Recharge Roomba as soon as possible following use; waiting several days can damage the battery.
- For storage off of the Home Base, remove the battery from Roomba and store in a cool, dry place.

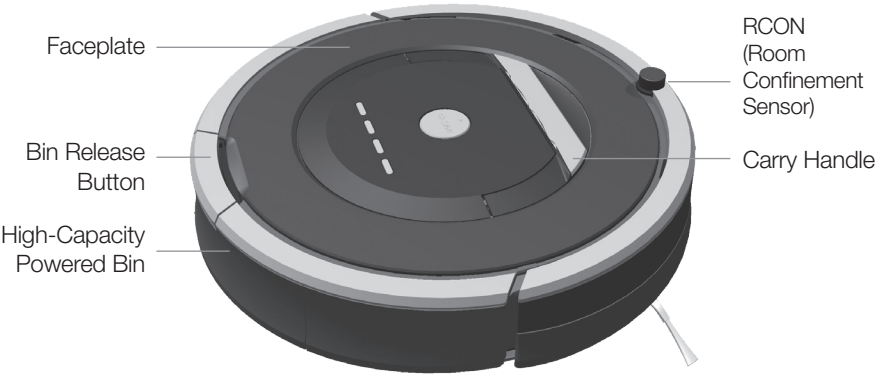
Floor Conditioning Process for Homes with Heavily Shedding Pets

In homes with heavily shedding pets, Roomba's bin may fill quickly with hair. In these environments, Roomba must go through a floor conditioning process. You can help Roomba along by scheduling it to clean frequently and emptying the bin when the Full Bin indicator lights – sometimes mid-session. After this conditioning process, you'll enjoy consistent cleaning performance from your Roomba. For best performance, be sure to continue emptying Roomba's bin and cleaning the filter when the full bin indicator lights.



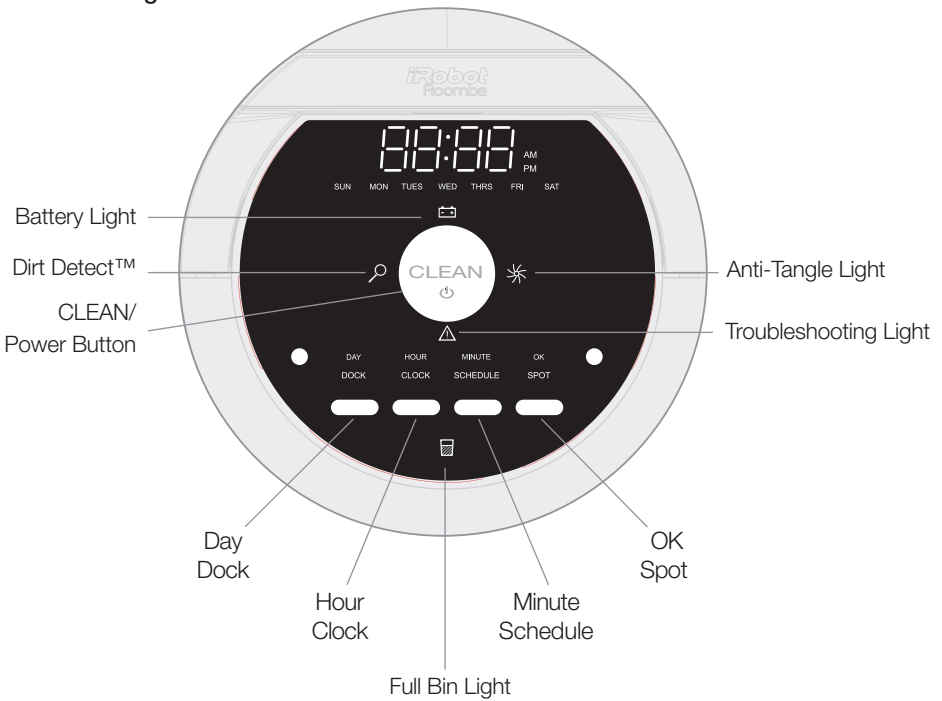
iRobot Roomba Anatomy

Top View



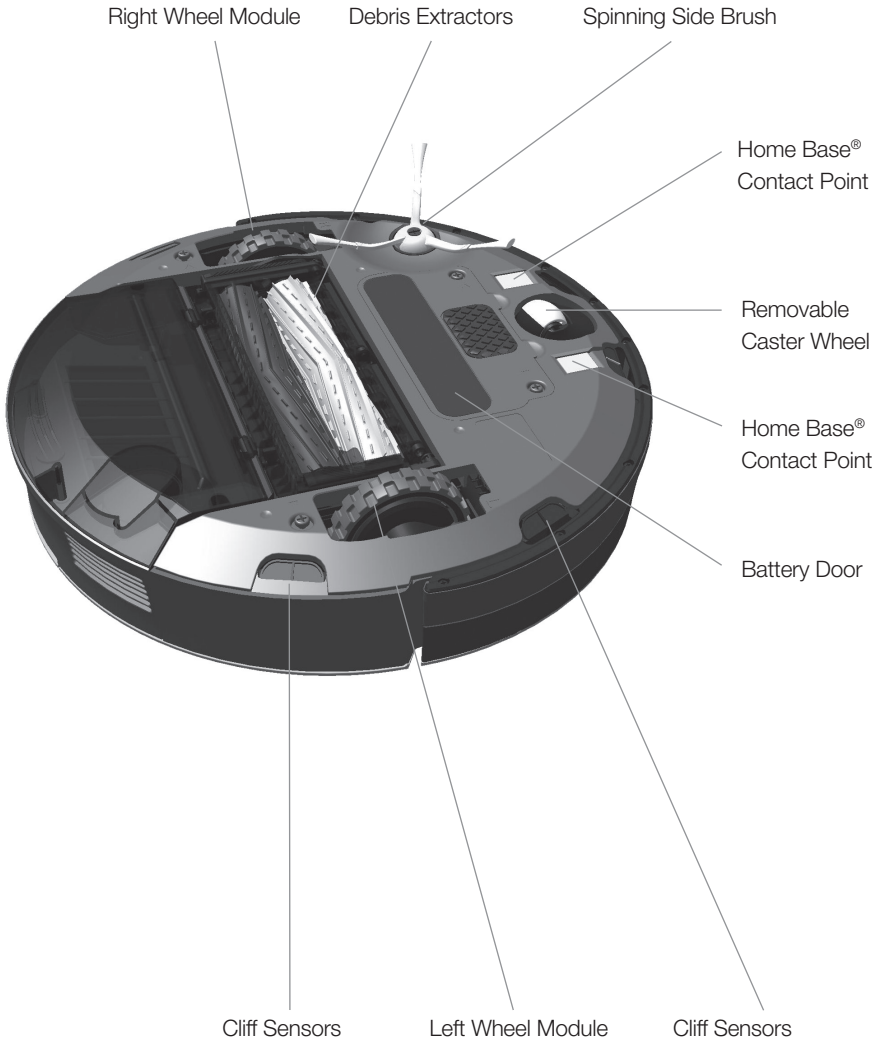
iRobot Roomba Anatomy

Buttons & Lights



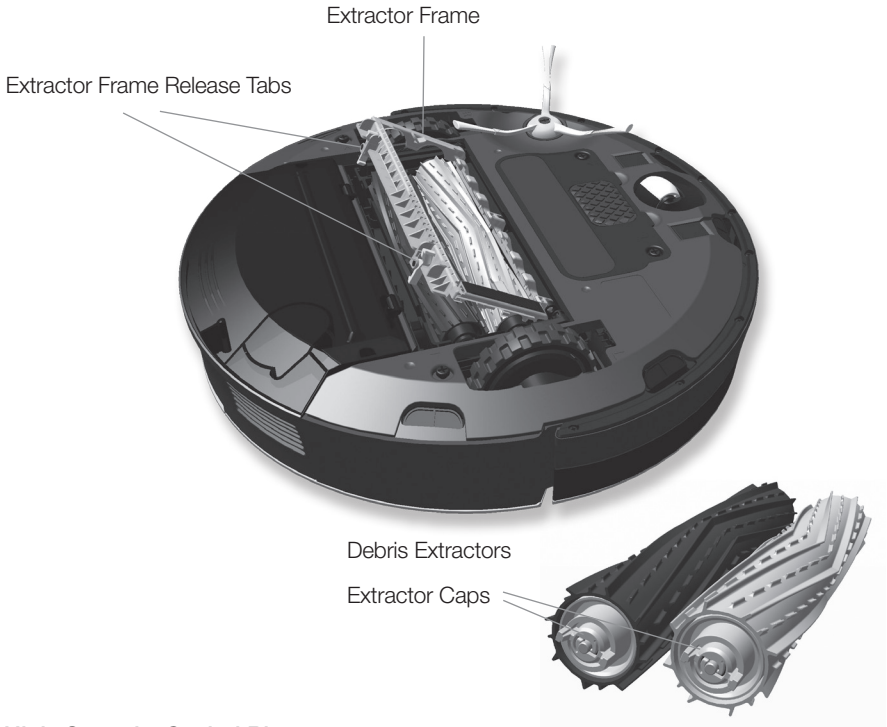
iRobot Roomba Anatomy

Bottom View

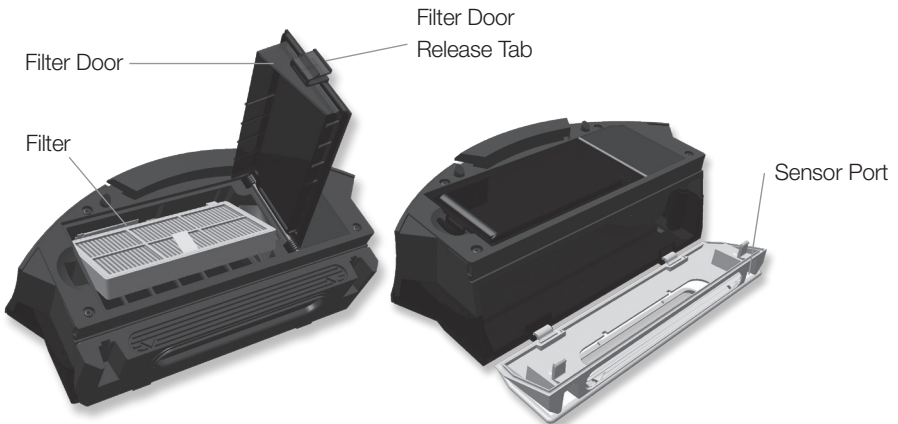


iRobot Roomba Anatomy

Cleaning Head



High-Capacity Sealed Bin



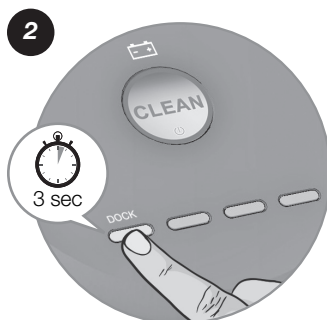
Setting the Language

Roomba can provide troubleshooting messages in English, French, German, Spanish, Italian, Dutch, Danish, Swedish, Norwegian, Finnish, Polish, Russian, Portuguese, Japanese, Korean and Chinese.

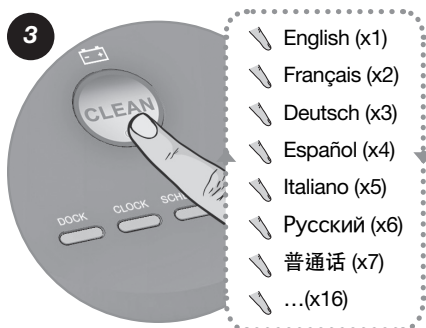
Roomba's default language is English. To change the default language:



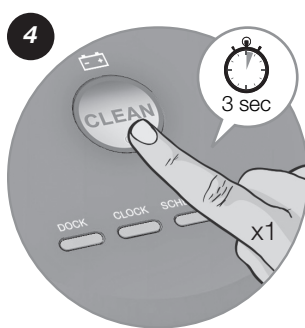
Take Roomba off the Home Base®. Turn on Roomba by pressing CLEAN, the lights will turn on.



Press and hold DOCK until Roomba beeps and says the current language. Release DOCK. Roomba is now in Language Selection Mode.



Press CLEAN repeatedly until you hear the language you want.



Press and hold CLEAN to turn off Roomba and confirm your language choice.

Cleaning Pattern

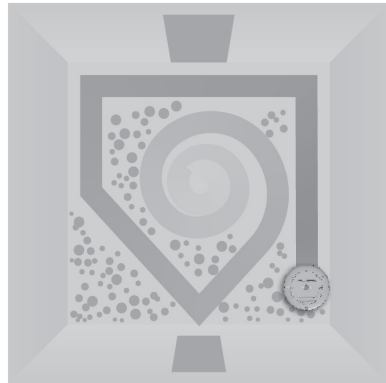
Roomba cleans floors differently than the way most people do, using its robot intelligence to efficiently clean the whole floor, under and around furniture and along walls.

As it cleans, Roomba calculates the optimal cleaning path and determines when to use its various cleaning behaviours:



Spiralling

Roomba uses a spiral motion to clean a concentrated area.



Wall Following

Roomba cleans the full perimeter of the room and navigates around furniture and obstacles.

Room Crossing

Roomba criss-crosses the room to ensure full cleaning coverage.

Dirt Detection

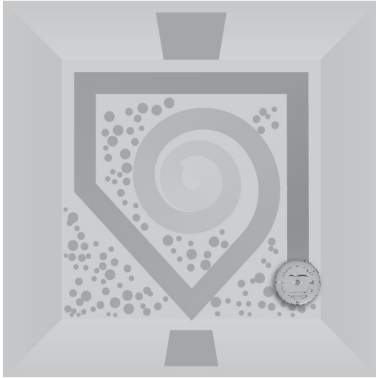
When Roomba senses dirt, the white Dirt Detect™ light lights up and Roomba cleans more intensely in that area.



For the most efficient cleaning, clear your floor of clutter and use a Virtual Wall® to confine Roomba to one room.

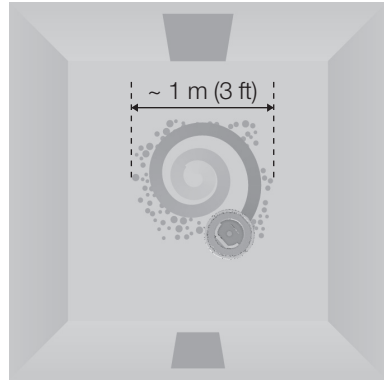
Cleaning Modes

Roomba cleans based on the cleaning mode you select. Roomba has three cleaning modes:



Clean Mode

Roomba automatically calculates the room size and adjusts its cleaning time appropriately.



Spot Mode

Roomba spirals approximately one metre (three feet) in diameter and then spirals back to where it started, intensely cleaning a localised area.

Scheduled Cleaning Mode

When a future cleaning time is programmed, Roomba enters this mode. At the specified time, Roomba leaves its Home Base®, cleans and then returns to the Home Base to recharge when it's done.

Cleaning System

AeroForce™ Performance Cleaning System

The AeroForce System uses a combination of two breakthrough technologies, tangle-free debris extractors and a high-powered vacuum channel, to deliver more cleaning power and less maintenance hassle.

Tangle-Free Debris Extractors

Dual counter-rotating extractors incorporate durable rubber treads that grab dirt and debris from any floor type, eliminating the hassle of hair-tangled brushes.

High-Powered Vacuum Channel

Accelerated airflow through a sealed channel dramatically increases suction at the floor to transfer dirt, debris and allergens through the extractors and into the HEPA-filtered, high-capacity bin.

Spinning Side Brush

Cleans along wall edges and corners.

Floor Surfaces

Roomba works on wood, carpet, tile, vinyl and laminate, and adjusts automatically to different floor types. Roomba automatically senses stairs and other cliffs.

Anti-Tangle System

Roomba won't get stuck on cords, carpet fringe or tassels. When Roomba senses it has picked up a cord or tassel, it will automatically stop its debris extractors or side brush and try to escape. Roomba may make a clicking noise when the anti-tangle system is activated.



Roomba might stall when confronting rounded edges and might slide over particularly slippery surfaces. Extremely dark-coloured floors may contribute to Roomba's cliff sensors working less effectively.

Battery Storage and Charging



For best performance, charge Roomba's battery overnight before using Roomba for the first time.

Roomba is powered by a rechargeable battery. Roomba's battery can last for hundreds of cleaning cycles if cared for properly.

Battery Life

To extend the battery life, iRobot recommends always keeping Roomba charged. For more details on how to maintain Roomba's battery life, visit global.irobot.com.



Recharge Roomba as soon as possible following use; waiting several days can damage the battery.



For storage off of the Home Base, remove the charged battery from Roomba and store in a cool, dry place.

Cleaning Time

You should fully charge Roomba's battery before each cleaning cycle. When fully charged, the Battery light will be green and Roomba's battery will last for at least one full clean cycle.

16-Hour Refresh Charge

If Roomba has been left off the Home Base® for an extended period, it will initiate a special 16-hour charge cycle. This extensive charge refreshes Roomba's battery and extends battery life. While charging, Roomba's CLEAN button pulses quickly. Note: For best results, do not interrupt the refresh charge.

Charging Roomba

To charge Roomba, connect the line cord to the Home Base® and then dock your robot.



When Roomba is on the Home Base, always make sure that the Home Base power light is on.

Charging Lights

Roomba uses the battery icon light to indicate it is charging. Use this chart to determine the status of the battery.

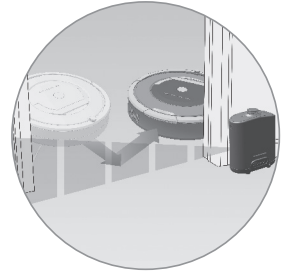
BATTERY ICON	BATTERY STATUS
Solid red	Battery empty
Amber pulse	Charging
Solid green	Fully charged
Quick amber pulse	16-hour refresh charge

Auto Virtual Wall®

(optional accessory compatible with all models)

A Virtual Wall creates an invisible barrier that Roomba won't cross. That makes it easy to confine Roomba to a particular room or area, and prevent it from getting too close to anything delicate or dangerous.

You can set a Virtual Wall to block openings of up to two metres (approximately seven feet). It creates a cone-shaped barrier, so the beam gradually gets wider. The Virtual Wall also creates a halo of protection around itself, preventing Roomba from getting too close.



For best performance, place a Virtual Wall on the outside of the doorway you want to block.



Point the arrows on top of the Virtual Wall towards the opening you want to block.

Auto Virtual Wall

When a Virtual Wall is set to Auto mode, the power light blinks continuously to indicate it is on. When battery levels are low, the Virtual Wall blinks twice repeatedly to indicate it needs new batteries.

When in Auto mode, the batteries should last for around six months. To save battery power, turn the Virtual Wall off.



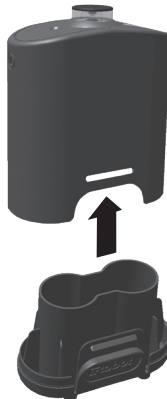
Battery Installation

1

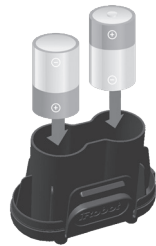


Battery Compartment

2



3



Two C Alkaline Batteries

Virtual Wall® Lighthouse™

(optional accessory for some models)

A Virtual Wall Lighthouse can act as both a Lighthouse and a Virtual Wall.

- **In Lighthouse mode**, it allows Roomba to efficiently clean multiple rooms before returning to the Home Base.
- **In Virtual Wall mode**, it blocks off areas you don't want cleaned.

Simply use the Mode Selector to make your choice. Either way, the Lighthouse turns on and off automatically as you turn Roomba on and off. When on, the light on top is lit.

Each Lighthouse runs on two C alkaline batteries. A flashing power light means the batteries need replacing soon.

How to use the Lighthouse mode

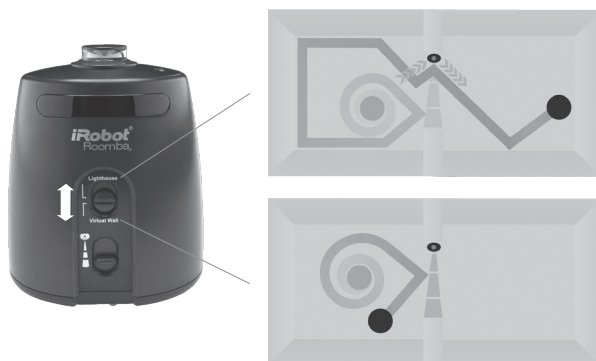
Simply place a Lighthouse in the doorway with the logo facing forward. When Roomba has completed the first room, the Lighthouse will help it navigate around your home, allowing it to clean room-to-room. When Roomba has completed cleaning, the Lighthouse will direct it back to its Home Base for recharging.

You can use Lighthouses and Virtual Walls at the same time. However, please avoid placing them too close to each other, to the Home Base or to furniture that could block the invisible beams. Otherwise, Roomba might not recognise the Lighthouses or be able to return to its Home Base.

How to use the Virtual Wall mode

In Virtual Wall mode, the Lighthouse creates an invisible barrier that Roomba won't cross. It automatically turns off when Roomba is turned off.

Simply place the Lighthouse in the centre of the doorframe. Unlike a Virtual Wall, a Lighthouse features a range selector that lets you adjust the length of the barrier — up to 2.4 metres (8 feet). Please note: setting a longer range will drain the battery faster.



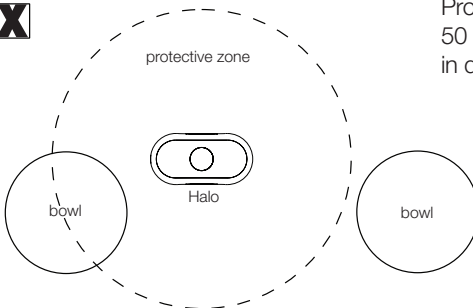
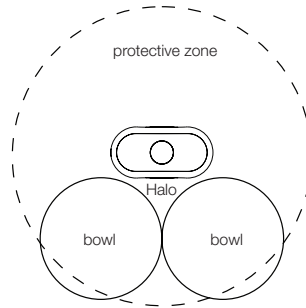
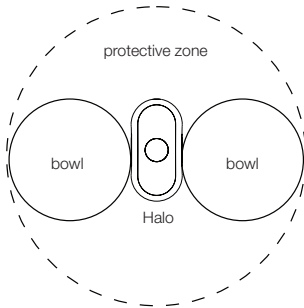
Virtual Wall® Halo

(optional accessory compatible with all models)

The Virtual Wall Halo makes Roomba perfect for homes with pets. By setting up a protective zone around the Virtual Wall™, the Halo prevents Roomba from bumping into and disturbing your pet's food and water bowls.

Follow these steps to set up the Virtual Wall Halo:

1. Once you have installed batteries in the Virtual Wall, insert it all the way into the Halo. The circular lens of the Virtual Wall should be completely visible at the top.
2. Place the Halo on the floor, level with Roomba and close to the bowls (as shown below).
3. If you have one bowl, place it beside the Halo, almost touching the wall. If you have two bowls, place one on either side of the Halo.



Protective zone approximately
50 centimetres (20 inches)
in diameter



The Virtual Wall Halo works on non-metal bowls less than 25 centimetres (10 inches) in diameter and up to 8.9 centimetres (3.5 inches) tall.



As the Virtual Wall's battery levels get low, the field may not be strong enough to protect your bowl(s). If that happens, change the batteries.

Home Base®

At the end of a cleaning cycle or when Roomba's battery is running low, it returns to the Home Base to charge. Roomba needs to find the infrared signal of the Home Base in order to return.

- Always keep the Home Base plugged in. When the Home Base is plugged in, its power light blinks to indicate the Home Base is connected to the power source.
- If Roomba returns to the Home Base and is unable to dock, it will try again until it docks successfully.
- When Roomba makes a connection and docks successfully, the Home Base power light stops blinking and turns solid green.
- Within a minute of docking, Roomba goes to sleep with just the battery light illuminated to show charging status.

Home Base Location

Position the Home Base on a hard, level surface against a wall. Make sure it's at least 1.2 metres (four feet) from any stairs and that Roomba has a clear path to reach it.

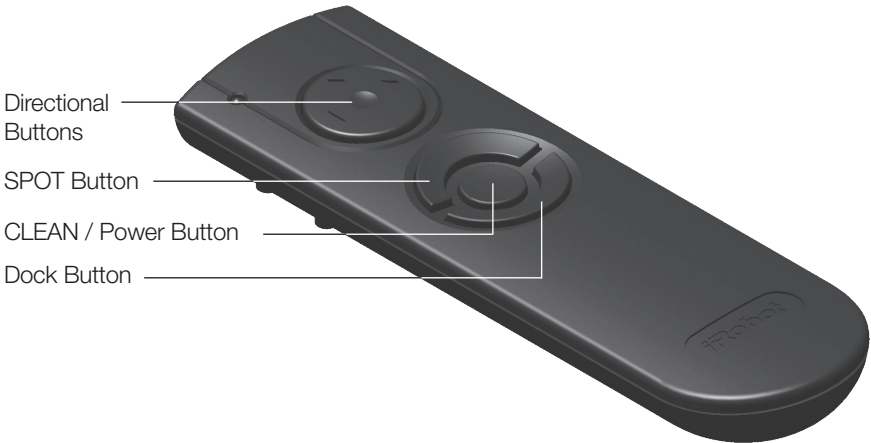


Do not place the Home Base within 1.2 metres (four feet) of a staircase.

Remote Control

(optional accessory for all models)

The Remote Control lets you conveniently control Roomba's functions. You can use it to turn Roomba on and off and steer it around your room without bending down. It also gives you remote access to these commands:



Before using your remote for the first time, install 2 AA batteries.

SPOT	Roomba spirals approximately 1 metre (three feet) in diameter and then spirals back to where it started, intensely cleaning a local area.
CLEAN	Roomba automatically calculates the room size and adjusts its cleaning time appropriately.
Dock	Roomba attempts to dock on the Home Base®, if present.



Make sure there is a direct line of sight from the remote control to Roomba and that the remote is pointed at Roomba.



The remote control, Virtual Wall®, Lighthouse™ and Home Base operate using an invisible infrared beam. If they are all used in the same area, Roomba may see multiple infrared signals and will not operate. The remote WILL NOT work when Roomba is near a Virtual Wall.

Wireless Command Centre

(optional accessory for the 880 model)

The Wireless Command Centre lets you control all Roomba functions from up to 7.6 metres (25 feet) away. Use the Wireless Command Centre to turn Roomba on and off, schedule up to seven cleaning times a week and steer Roomba around the room.

To schedule Roomba to clean, use the buttons on the Wireless Command Centre as if they were on the robot itself. See page 27 for details on setting Roomba's clock along with setting, changing and deleting the cleaning schedule.

Before using your Wireless Command Centre for the first time, install 4 AA batteries.

If you purchase a Wireless Command Centre, visit global.irobot.com for details on setting up the Wireless Command Centre with Roomba.



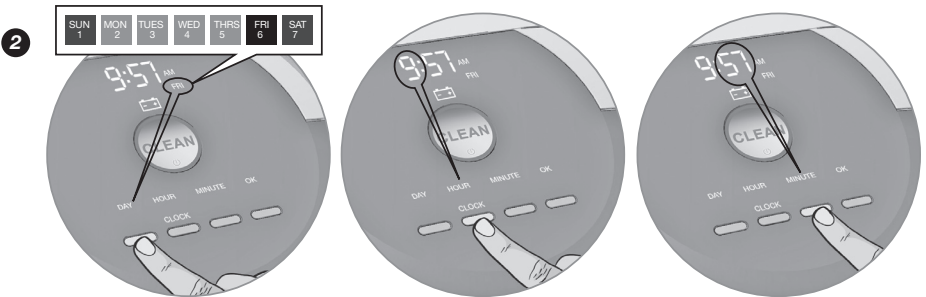
Scheduling Roomba

Setting the Time

You must set the time before scheduling Roomba to clean. To set the time:



Press **CLOCK**.



Use the **DAY**, **HOUR** and **MINUTE** buttons individually to set the correct time.



Press **OK**, Roomba will beep to indicate the time and date has been set.

Scheduling Roomba

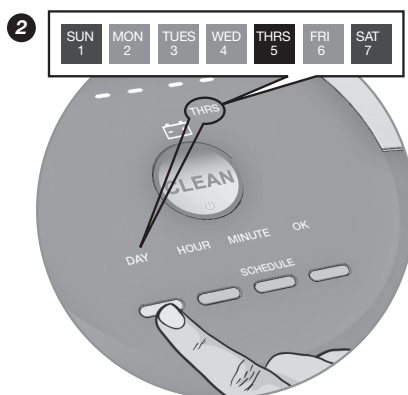
Setting a Schedule

You can schedule Roomba to clean once per day, up to seven times per week.

You must set the time before setting a schedule. To set a schedule:



Press SCHEDULE.



Use the DAY, HOUR and MINUTE buttons individually to set the schedule.



Press OK, Roomba will beep to indicate the schedule has been set.

Viewing Schedules

To view Roomba's scheduled cleaning times:

1. Press SCHEDULE.
2. Press DAY to cycle through the scheduled cleaning times.
3. Press OK.

Deleting a Schedule

To delete a scheduled cleaning time:

1. Press SCHEDULE.
2. Press DAY to cycle through the scheduled cleaning times.
3. When Roomba displays the scheduled cleaning time you'd like to delete, press and hold DAY for five seconds. Roomba will beep to indicate the cleaning time has been deleted.
4. Press OK.

Changing the Schedule

To change the cleaning schedule:

1. Press SCHEDULE.
2. Press DAY to cycle through the scheduled cleaning times.
3. When Roomba displays the scheduled cleaning time you'd like to change, press and hold HOUR and MINUTE to make the change.
4. Press OK, Roomba will beep to indicate the schedule has been set.



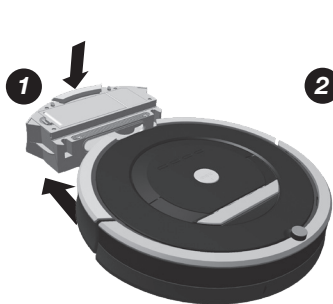
Roomba's clock can be viewed in either the 12-hour (AM/PM) format or the 24-hour format. To toggle between the two views, press and hold CLOCK for 5 seconds. Toggle between 12-hour and 24-hour format using the CLOCK button. Press OK to save. Roomba beeps and the clock briefly illuminates to indicate the clock format has been switched.

Roomba's clock will switch back to the default 12-hour (AM/PM) format when the battery is disconnected or very low on power.

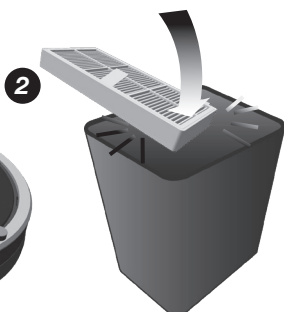
Regular Maintenance

To keep Roomba running at peak performance, you should perform the following maintenance:

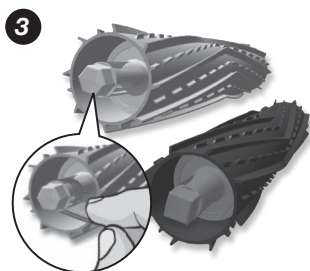
Component	Maintain	Replace
Bin	After each use	Not applicable
Filter	Once per week (twice per week in homes with pets)	Every two months
Debris Extractors	Every four months (every three months in homes with pets)	Every twelve months
Sensors	Wipe once per week	Not applicable
Front Wheel	Once per week	Not applicable
Spinning Side Brush	Once per week	Not applicable
Roomba Contact Points	Once per week	Not applicable
Home Base® Contact Points	Once per week	Not applicable



Remove and empty Roomba's bin after each use. Press button and pull to remove bin.



Clean Roomba's filter by tapping it against your rubbish bin. Remove the filter and shake off debris.



Clean Roomba's extractors. Remove hair from Roomba's yellow extractor caps (hair will pull out easily).



The filter door will NOT close unless a filter is reinserted.



If you notice Roomba picking up less debris from your floor, empty the bin, clean the filter and clean the extractors.



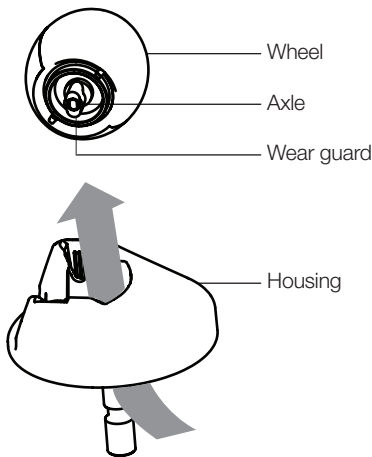
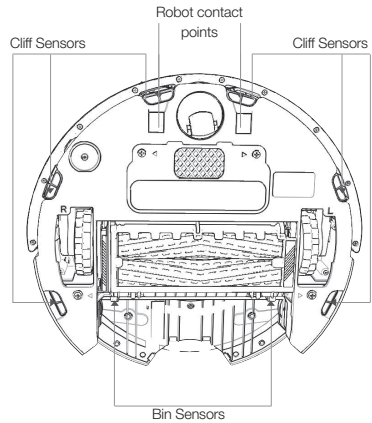
Do not attempt to run Roomba without the extractor caps. If you misplace Roomba's extractor caps, contact iRobot Customer Care for replacement caps.

Regular Maintenance

Clean Roomba's sensors.

Wipe the following items with a clean, dry cloth every week:

1. Four front cliff sensors
2. Two rear cliff sensors
3. Two Home Base® contact points
4. Two robot contact points
5. Two bin sensors
6. Two inner bin sensor ports
7. Two outer bin sensor ports



Clean Roomba's front wheel.

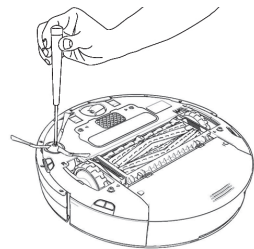
1. Pull firmly on Roomba's front wheel to remove it from the robot.
2. Remove debris from inside the front wheel cavity.
3. Remove the front wheel from its housing by pushing it through from underneath. Clear any hair wrapped around the wear guards.
4. If the wheel rotation is still restricted, grab the wheel with one hand by placing your finger over one of the wear guards. Then, use your other hand to pull on the other wear guard to remove the axle from the wheel.
5. Clear away any hair and debris from the axle and wheel assembly.
6. Reinstall the wear guards and shaft assembly to the wheel, and the wheel to the housing.



Front wheels clogged with hair and debris could result in floor damage.

Clean spinning side brush.

Use a coin or small screwdriver to remove the screw. Then, remove the brush, clean it and reinstall it.



When maintaining Roomba, look for the yellow parts. These parts are designed to be removed and cleaned every time you empty Roomba's bin.

Troubleshooting

Roomba will tell you something is wrong with a two-tone “uh-oh” sound followed by a narrated voice. The troubleshooting light will also blink. Refer to the chart below to resolve Roomba’s problem. If the problem is not resolved, visit global.irobot.com.

Runtime Errors



To repeat Roomba’s error message, press CLEAN.

Roomba blinks and says ...	Likely cause	What to do
Error 1. Move Roomba to a new location, then press CLEAN to restart.	Roomba is stuck with a wheel hanging down.	Ensure Roomba’s wheels are firmly on the floor. If Roomba is stuck, start in a new location. If Roomba is not stuck, clean its side wheels of hair and debris. Push the wheels in and out, and check that they both turn freely.
Error 2. Open Roomba’s extractor frame and clean extractors.	Roomba’s extractors can’t turn.	Remove and clean Roomba’s extractors and caps. Clean Roomba’s side wheels of hair and debris.
Error 5. Spin Roomba’s side wheels to clean.	Roomba’s side wheel is stuck.	Clean Roomba’s side wheels of hair and debris. Push the wheels in and out, and check that they both turn freely. Start Roomba in a new location.
Error 6. Move Roomba to a new location, then press CLEAN to restart.	Roomba’s cliff sensors are dirty, it is hanging over a drop or it is stuck on a dark surface.	If Roomba is stuck, start in a new location. If Roomba is not stuck, wipe its cliff sensors with a dry cloth. Start in a new location.
Error 7. Spin Roomba’s side wheels to clean.	Roomba’s side wheel is stuck.	Clean Roomba’s side wheels of hair and debris. Push the wheels in and out, and check that they both turn freely. Start Roomba in a new location.
Error 8.	Roomba’s fan is stuck.	Remove and empty Roomba’s bin. Then, briskly tap the bin to loosen any remaining trapped debris.
Error 9. Tap Roomba’s bumper to clean.	Roomba’s bumper is stuck, or the bumper sensor is dirty.	Briskly tap Roomba’s bumper several times to dislodge any debris that may be trapped underneath.

Error 10. Spin Roomba's side wheels to clean.	Roomba's side wheel is stuck, or its bumper isn't detecting obstacles.	If Roomba is circling, clean its side wheels of hair and debris. Push the wheels in and out, and check that they both turn freely. If it's not circling, Roomba may be in a very large room. Use a Virtual Wall® to create a smaller cleaning area.
Error 11.	Roomba has an internal error.	Call iRobot Customer Service.

Problems While Charging

Roomba blinks...	Roomba displays...	Roomba says...	Likely cause	What to do
1 time	Err 1	Charging error 1	Roomba's battery isn't connected.	Confirm Roomba's battery pull tab is removed. Remove Roomba's battery cover, then remove and reinstall battery (see page 35).
2 times	Err 2	Charging error 2	Roomba has a charging error.	Let Roomba cool down for at least an hour and try charging again.
3 times	Err 3	Charging error 3	Roomba has a charging error.	Contact customer support.
5 times	Err 5	Charging error 5	Roomba has a charging error.	Confirm Roomba's Home Base® is installed properly (see page 24). Please wipe contact points clean on Roomba and Home Base®.
6 times	Err 6	Charging error 6	Roomba's battery is too warm.	Let Roomba cool down for at least an hour and try charging again.
7 times	Err 7	Charging error 7	Roomba's battery isn't cooling.	Let Roomba cool down for at least an hour and try charging again.



To reset Roomba's software, hold down the **CLEAN** button for 10 seconds.

This will clear all scheduled cleaning times, reset the clock and resolve some software issues.

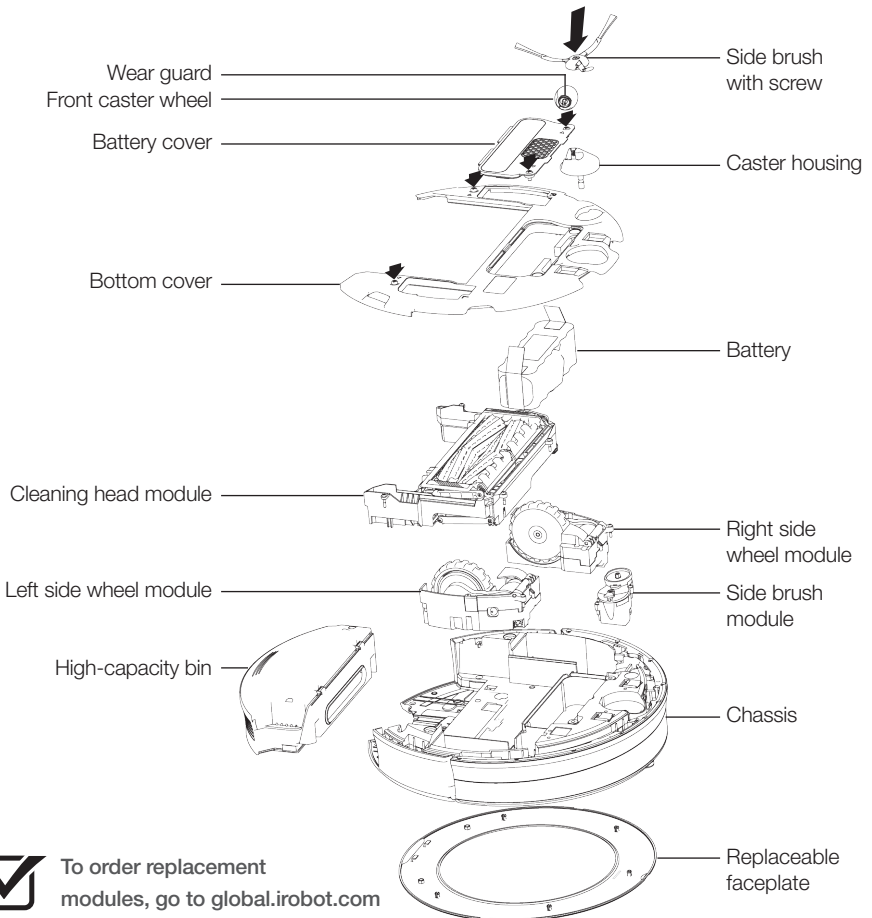
Replaceable Modules

Visit global.irobot.com to order replacement parts

Roomba has a number of modules that can be replaced, including its drive wheels, spinning side brush, main cleaning head, vacuum bin, caster wheel and battery.

To access Roomba's replaceable modules, remove the following items in this order:

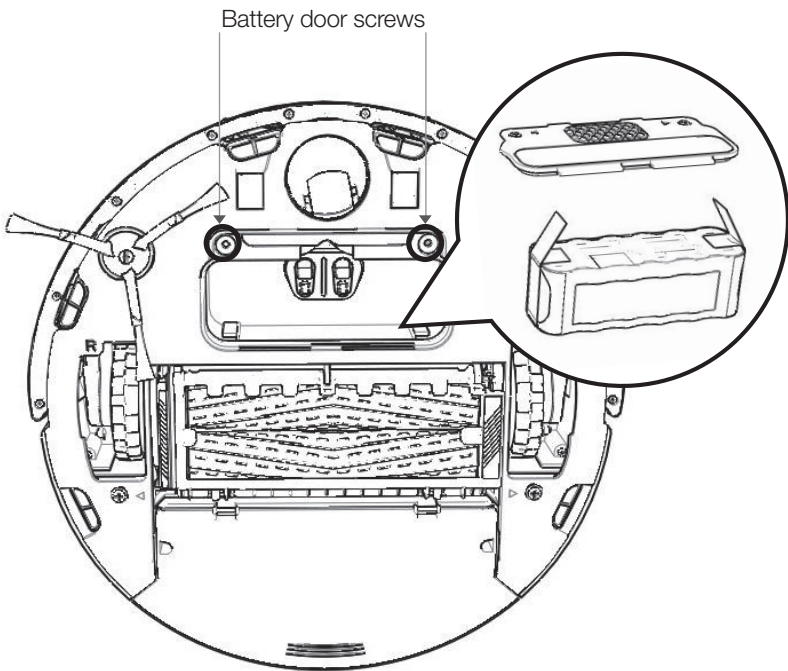
1. The screw holding the side brush
2. The two screws holding down the battery door
3. The battery
4. The two screws holding down the bottom cover



Battery Removal

Follow these instructions to remove and reinstall Roomba's battery.

1. Unscrew the two screws shown below and remove Roomba's battery door and battery.
2. Reinstall Roomba's battery with the iRobot logo facing up.
3. Replace Roomba's battery door and the two screws.



Registration

Register your Roomba now to activate your warranty and enjoy exclusive access to:

- **iRobot's award-winning customer service:** Get support tailored to your specific robot, including answers to questions, maintenance tips, video demos and live chat.
- **Product updates and other valuable information:** Be among the first to learn about new robots, exclusive discounts and special promotions.

When you register, you can also tell us about your experience with your Roomba. iRobot listens to our customers and makes enhancements to our robots based on your valued feedback. We'd love to hear from you!

To register your Roomba, visit the 800 Series Owner's Centre at global.irobot.com/register. There, you'll also find a quick start guide, instructional videos, information on accessories, frequently asked questions and more.

Declaration of Conformity

iRobot Roomba® Vacuum Cleaning Robot and Accessories

Manufacturer: iRobot Corporation, 8 Crosby Drive, Bedford, MA 01730, USA

Declares that Roomba along with Model 17062 and 17063 Battery Chargers and the Home Base, conform to the requirements of:

Low Voltage Directive 73/23/EEC as amended by 93/68/EEC and EMC Directive 89/336/EEC as amended by 92/31/EEC.

It is further declared that the Roomba and Roomba SE Robotic Vacuum Cleaner and Accessories conform to the following harmonised European standards:

Year of CE Marking: 2004

EN 60335-1:2002 + A11:2004

Household and Similar Electrical Appliances - Safety Part 1 - General Requirements

EN 60335-2-2:2003

Household and Similar Electrical Appliances - Safety Part 2 - Particular Requirements for Vacuum Cleaners and Water-Suction Cleaning Appliances

EN 60335-2-29:2002

Household and Similar Electrical Appliances - Part 2-29 - Particular Requirements for Battery Chargers

EN 55014-1:2000 + A1:2001 + A2:2002

Electromagnetic compatibility - Requirements for household appliances, electric tools and similar apparatus – Part 1: Emission

EN 55014-1:1997 + A2:2002

Electromagnetic compatibility - Requirements for household appliances, electric tools and similar apparatus – Part 2: Immunity - Product family standard

Low Voltage tests and EMC tests have been conducted by:

TUV Rheinland of North America

This equipment has been tested and found to comply with the limits for a Class B digital device, pursuant to part 15 of the FCC Rules. These limits are designed to provide reasonable protection against harmful interference when the equipment is operated in a commercial environment. This equipment generates, uses and can radiate radio frequency energy and, if not installed and used in accordance with the instruction manual, may cause harmful interference to radio communications. Operation of this equipment in a residential area is likely to cause harmful interference in which case the user will be required to correct the interference at his/her own expense.

iRobot Customer Care USA & Canada

If you have questions or comments about this product, please contact iRobot before contacting a retailer.

Please visit the iRobot home support site at global.irobot.com for support tips, frequently asked questions and information about accessories and other iRobot products.

Should you still need assistance:

Call our Customer Care team at 877.855.8593.

iRobot Customer Care hours:

- Monday – Friday, 9AM – 7PM Eastern Time
- Saturday, 9AM – 6PM Eastern Time

iRobot Customer Care Outside USA & Canada

Visit **global.irobot.com** to:

- Learn hints and tips to improve the performance of your robot
- Get answers to questions
- Download a detailed product manual
- Contact your local support centre



© 2013-2014 iRobot Corporation, 8 Crosby Drive, Bedford, MA 01730. All rights reserved. iRobot, Roomba, iAdapt and Virtual Wall are registered trademarks of iRobot Corporation. Home Base, Dirt Detect, AeroForce, Lighthouse and "Let the Robots do the Work" are trademarks of iRobot Corporation.

U.S. Pat. Nos. www.irobot.com/patents | Other Patents Pending. WC: 4432989